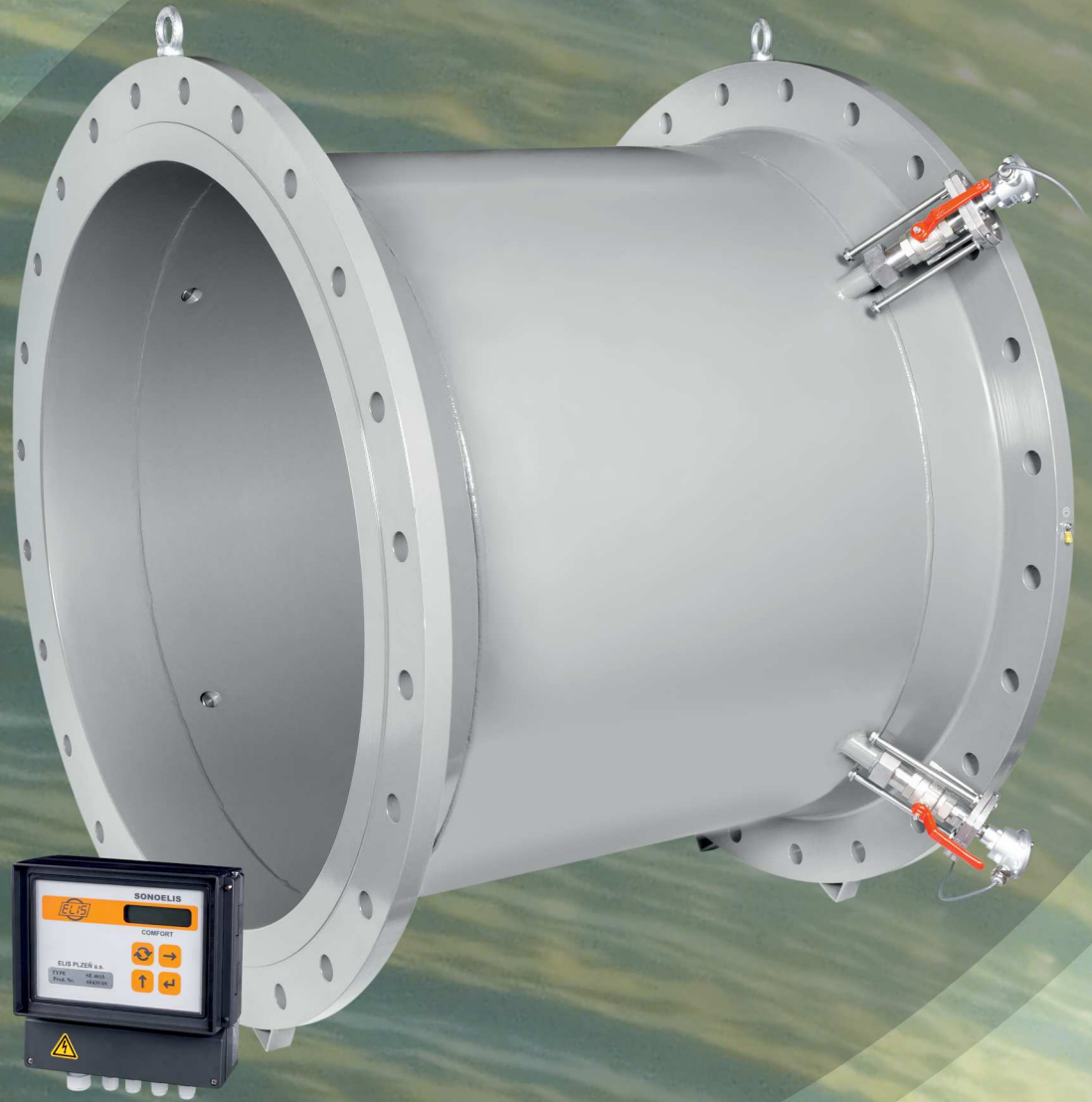




ELIS PLZEŇ a.s.



**ULTRASONIC FLOW METERS SONOELIS SE401x.xRP  
SONOELIS SE402x.xRP**

## SONOELIS SE401x.xRP, SE402x.xRP

Ultrasonic flow meters SONOELIS SE401x.xRP (single beam) and SE402x.xRP (dual beam) are intended for flow rate measurements of conductive and non-conductive clean liquids. Ultrasonic flow meters operate on the principle of measuring the difference in transit times of ultrasonic waves travelling in and against the fluid flow direction. The meters consist of a flow sensor and remote transmitter. The special design of ultrasonic transducers makes possibility to change or remove transducers without emptying of a pipe. Ultrasonic flow meters offer excellent user value in their high measurement accuracy over a wide range of measured values, long-term stability, negligible hydraulic losses and the capability of measuring the flow rate of virtually any liquid medium.

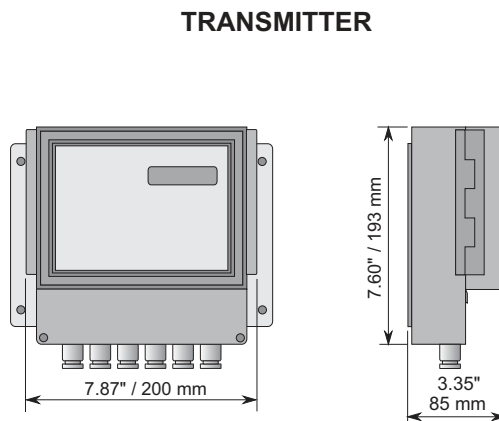
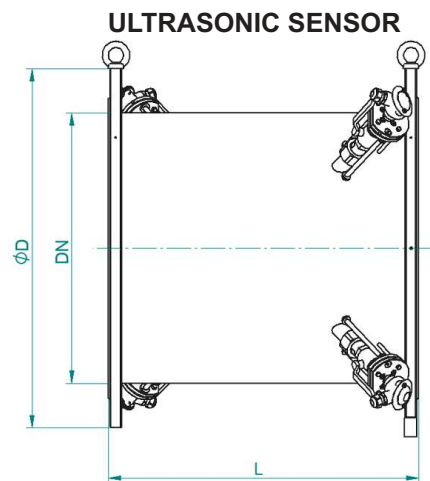
The transmitter supplies power to ultrasonic probes and, via its outputs, communicates the flow-rate data to other cooperating data processing systems. The meters are supplied with remote transmitter and ultrasonic transducers can be removed or changed from the sensors by flowed pipe. Regarding operator comfort and optional accessories, the meters can be delivered in configurations: COMFORT (including a display unit and control keyboard, signal outputs), STANDARD (including a display unit, signal outputs) or ECONOMIC (signal outputs only). The transmitter can be placed in plastic or aluminium box.

### METER SPECIFICATIONS

nominal diameter / size	DN400 to DN1200 / 12" to 48"
nominal pressure [bar / psi]	standard 10 / 150
operational pressure [bar]	7.5
maximum pressure during removing/changing of transducers from a sensor [bar]	1
measurement accuracy EN ISO 4064-1 (OIML R 49)	2
temperature of measured liquid	0 °C to 100 °C / 32 °F to 212 °F
Maximum temperature during removing/changing of transducers from a sensor	40 °C / 104 °F
ambient temperature	5°C to 55°C / 41 °F to 151 °F
display unit	alpha-numerical LCD unit, two lines of 16 characters each
power supply	100 to 250VAC, 50 to 60Hz (AC)
protection class (transmitter)	IP 65
protection class (ultrasonic sensor)	IP 54 (IP 68)
outputs (insulated)	pulse type frequency type 0 to 1,000Hz or 10kHz
optional accessories	flanges according to standard ANSI, AWWA, JIS, current output 0 (4) to 20mA communication line RS 485 flow-rate measurement in two directions sensor protection class IP 68

### METER VERSION, CONFIGURATION AND TYPE DESIGNATION

version	REMOTE - PLATIC BOX			REMOTE - ALUMINIUM BOX	
configuration	ECONOMIC	STANDARD	COMFORT	ECONOMIC	COMFORT
single-beam type	SE4011.RP	SE4013.RP	SE4015.RP	SE4011.1RP	SE4015.1RP
dual-beam type	SE4021.RP	SE4023.RP	SE4025.RP	SE4021.1RP	SE4025.1RP



ELIS PLZEŇ a. s.  
LUCNI 425/15, 301 00 PLZEN  
CZECH REPUBLIC

Phone: +420 377 517 711  
FAX: +420 377 517 722  
e-mail: [sales@elis.cz](mailto:sales@elis.cz)  
<http://www.elis.cz>