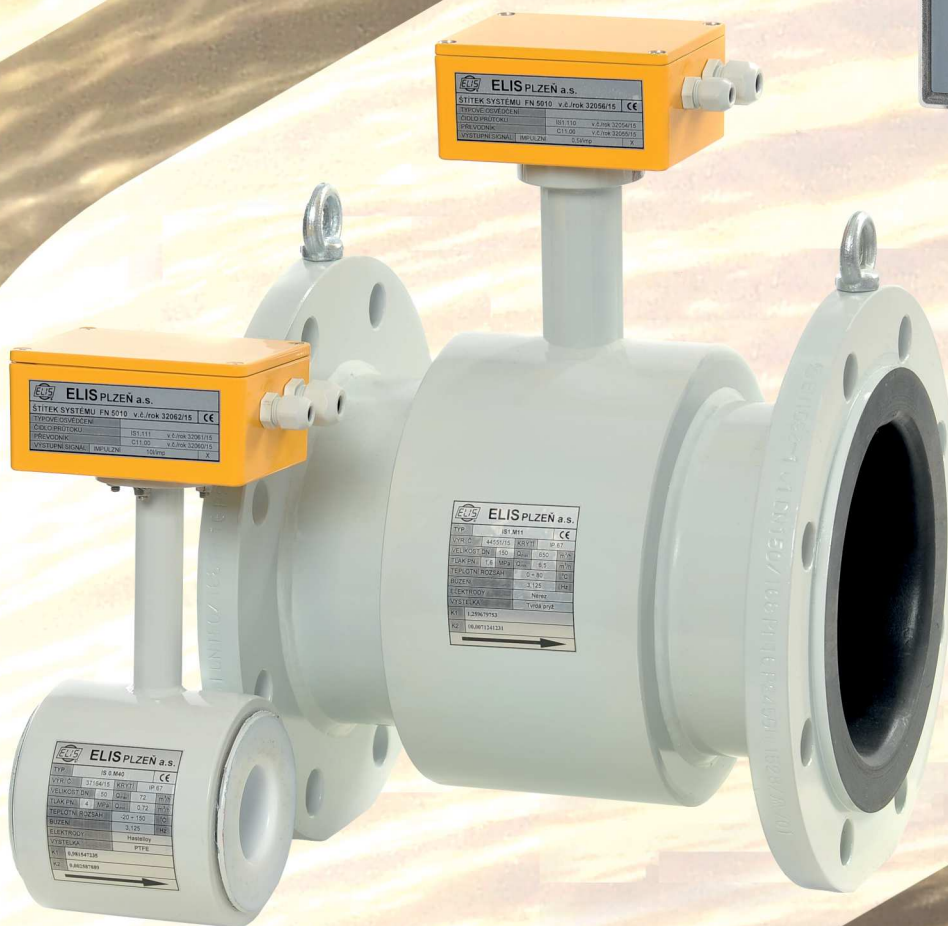




ELIS PLZEŇ a.s.



# HEAT/COLD METERS IN WATER ELISTHERM ET3010.0

# ELISTHERM ET3010.0

ELISTHERM ET3010.0 heat/cold meter systems are intended for measurement of absolute heat and cold energy delivered or consumed in closed heating/cooling systems.

The ELISTHERM ET3010.0 heat/cold meter measures and stores information of heat/cold quantity calculated from the water temperature measured at the pipeline's input and output by means of coupled resistance temperature sensors Pt100 (Pt500) and from the flow of heating/cooling water through electromagnetic flow meter located at the pipeline's input or output.

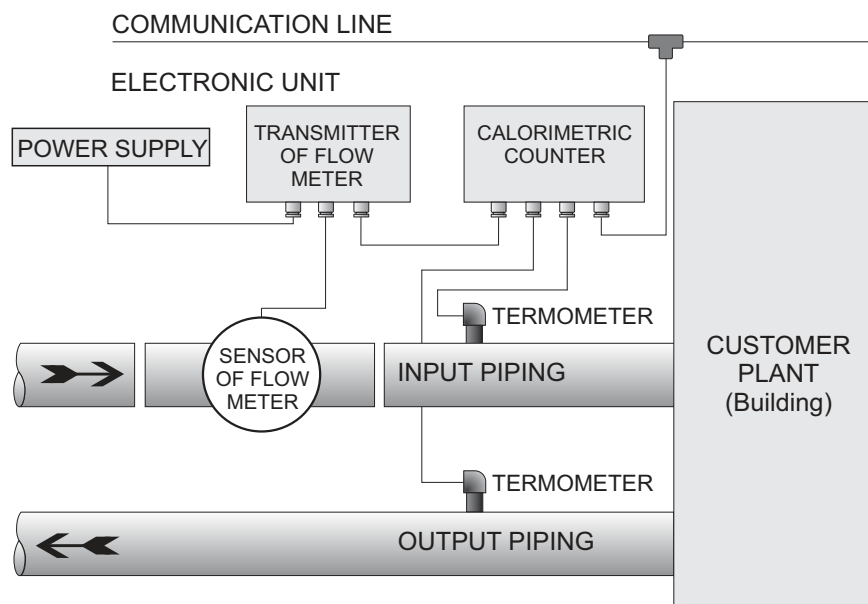
ELISTHERM ET3010.0 heat/cold meter systems are delivered in the following configuration:

- Calorimetric counter
- Couple resistance of temperature sensors Pt100 (Pt500)
- Electromagnetic flow meter FLONET FN50xx

## METER SPECIFICATIONS

temperature range of flow meter	0° to 150° C (32° to 302°F)
min. temperature difference of calorimetric counter	2° (35.6° F)
nominal diameter of flow meter	DN20 to DN500 (3/4" to 20")
flow meter position	input or output piping
measurement accuracy EN 1434 (OIML R 75)	2
communication of the system	M-Bus
power supply of flow meter	230 V AC
power supply of calorimetric counter	230 V AC or battery
protection class calorimetric counter	IP54
protection class flow meter	IP65
ambient temperature	5° to 55° C (41° to 131° F)
optional accessories of calorimetric counter	com. line MODBUS pulse, radio, GSM output
optional accessories of flow meter	nominal diameter DN600 to DN1200 (24" to 48") power supply 24 V DC remote version

## SCHEME OF CONNECTION OF ELISTHERM ET3010.0 HEAT/COLD METER IN HEAT/COOLING SYSTEM



ELIS PLZEŇ a. s.  
LUCNI 425/15, 301 00 PLZEN  
CZECH REPUBLIC

Phone: +420 377 517 711  
FAX: +420 377 517 722  
e-mail: [sales@elis.cz](mailto:sales@elis.cz)  
[Http://www.elis.cz](http://www.elis.cz)